

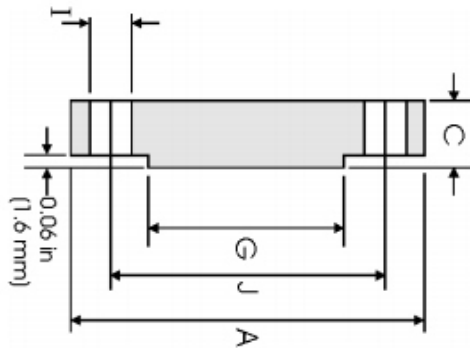


FLANGES



FLANGE CEGO ANSI B16.5

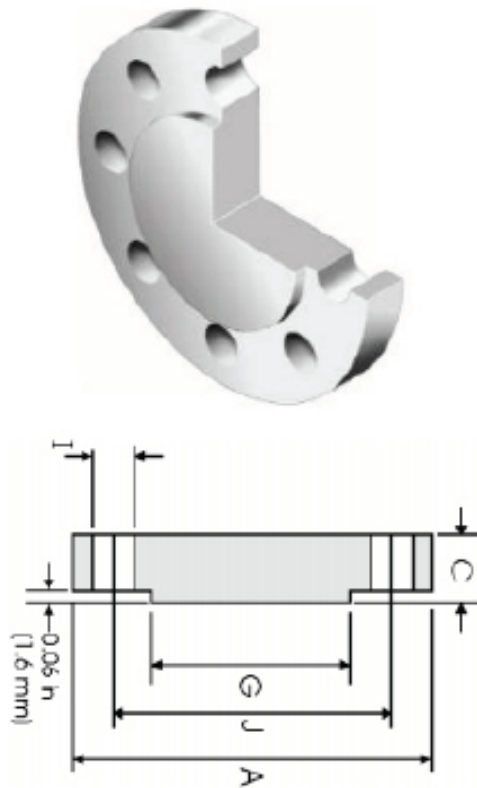
Flange Cego ANSI B16.5 Classe 150 lbs



DN	A	C	G	Nº FUROS	I	J	Peso
1/2	88.90	11.20	35.10	4	15.70	60.45	0.42
3/4	98.60	12.70	42.90	4	15.70	69.85	0.61
1	108.0	14.20	50.80	4	15.70	79.25	0.86
1 1/4	117.3	15.70	63.50	4	15.70	88.90	1.17
1 1/2	127.0	17.50	73.15	4	15.70	98.60	1.53
2	152.4	19.10	91.90	4	19.10	120.7	2.42
2 1/2	177.8	22.40	104.6	4	19.10	139.7	3.94
3	190.5	23.90	127.0	4	19.10	152.4	4.93
3 1/2	215.9	23.90	139.7	8	19.10	177.8	6.17
4	228.6	23.90	157.2	8	19.10	190.5	7.00
5	254.0	23.90	185.7	8	22.40	215.9	8.63
6	279.4	25.40	215.9	8	22.40	241.3	11.3
8	342.9	28.40	269.7	8	22.40	298.5	19.6
10	406.4	30.20	323.9	12	25.40	362.0	28.8
12	482.6	31.75	381.0	12	25.40	431.8	43.2
14	533.4	35.10	412.8	12	28.40	476.3	58.1
16	596.9	36.60	469.9	16	28.40	539.8	76.0
18	635.0	39.60	533.4	16	31.75	577.9	93.7
20	698.5	42.90	584.2	20	31.75	635.0	122
24	812.8	47.80	692.2	20	35.10	749.3	185

Dimensões em mm.

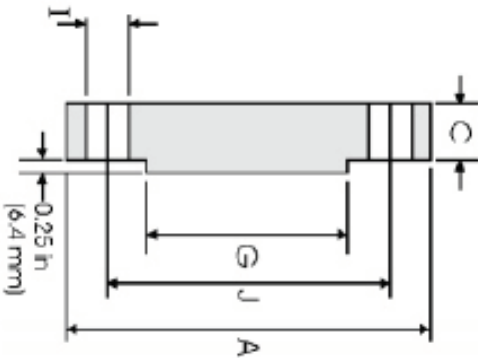
Flange Cego ANSI B16.5 Classe 300 lbs



DN	A	C	G	Nº FURROS	I	J	Peso
1/2	85.20	14.20	35.10	4	15.70	86.55	0.64
3/4	117.3	15.70	42.90	4	19.00	82.50	1.11
1	123.9	17.50	50.80	4	19.00	88.90	1.39
1 1/4	133.3	19.00	63.50	4	19.00	98.50	1.79
1 1/2	155.4	20.80	73.15	4	22.3	114.3	2.66
2	165.1	22.30	91.90	8	19.10	127.0	3.18
2 1/2	190.5	25.40	104.6	8	22.30	1.493	4.85
3	209.5	29.40	127.0	8	22.30	169.1	6.81
3 1/2	228.6	30.20	139.7	8	22.30	184.1	8.71
4	254.0	31.70	157.2	8	22.30	200.1	11.5
5	279.4	35.00	185.7	8	22.30	234.9	15.6
6	317.5	36.50	215.9	12	22.30	269.7	20.9
8	381.0	41.10	289.7	12	25.40	330.2	34.3
10	444.6	47.70	323.0	16	28.40	387.3	53.3
12	520.7	50.80	391.0	16	31.70	450.9	78.8
14	584.2	53.80	412.8	20	31.70	514.3	105
16	647.7	57.15	499.9	20	35.00	571.5	137
18	711.2	60.45	533.4	24	35.00	628.6	175
20	774.7	63.50	584.2	24	35.00	685.8	221
24	914.4	69.85	692.2	24	41.10	812.8	339

Dimensões em mm.

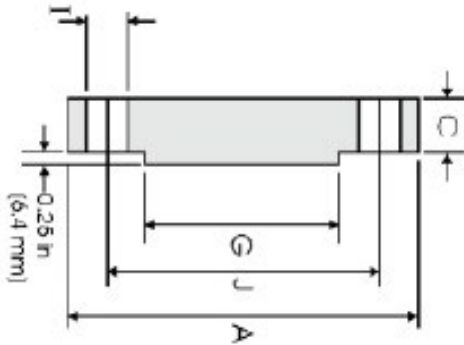
Flange Cego ANSI B16.5 Classe 600 lbs



DN	A	C	G	Nº FUROS	I	J	Peso
1/2	95.20	14.20	35.10	4	15.70	66.55	0.76
3/4	117.3	15.70	42.90	4	19.10	82.60	1.28
1	123.9	17.50	50.80	4	19.10	98.90	1.60
1 1/4	133.3	20.80	63.50	4	19.10	98.60	2.23
1 1/2	155.4	22.30	73.15	4	22.40	114.3	3.25
2	165.1	25.40	91.90	8	19.10	127.0	4.15
2 1/2	190.5	28.40	104.6	8	22.40	149.4	6.13
3	209.5	31.70	127.0	8	22.40	168.1	8.44
3 1/2	226.6	35.00	139.7	8	25.40	184.2	11.0
4	273.1	38.10	157.2	8	25.40	215.9	17.3
5	330.2	44.50	185.7	8	28.40	266.7	29.4
6	355.6	47.80	215.9	12	28.40	292.1	36.1
8	419.1	55.80	269.7	12	31.75	349.3	56.9
10	508.0	63.50	323.9	16	35.10	431.8	97.5
12	558.8	66.55	381.0	20	35.10	489.0	124
14	603.3	69.85	412.8	20	38.10	527.1	151
16	685.8	76.20	469.9	20	41.10	603.3	214
18	743.0	82.80	533.4	20	44.50	654.1	272
20	812.8	88.90	584.2	24	44.50	723.9	349
24	939.8	101.6	692.2	24	50.80	838.2	533

Dimensões em mm

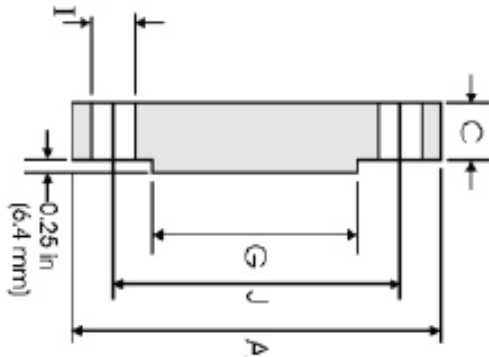
Flange Cego ANSI B16.5 Classe 900 lbs



DN	A	C	G	Nº FURROS	I	J	Peso
1/2	120.6	22.30	35.10	4	22.30	82.50	1.77
3/4	130.0	25.40	42.90	4	22.30	88.90	2.42
1	149.3	28.40	50.80	4	25.40	101.6	3.57
1 1/4	168.7	28.40	63.50	4	25.40	111.2	4.15
1 1/2	177.8	31.70	73.15	4	28.40	123.9	5.75
2	215.9	38.10	91.90	8	25.40	165.1	10.1
2 1/2	244.3	41.10	104.6	8	28.40	190.5	14.0
3	241.3	38.10	127.0	8	25.40	190.5	13.1
4	292.1	44.50	157.2	8	31.70	234.9	28.9
5	349.2	50.80	185.7	8	35.00	279.4	36.5
6	381.0	55.60	215.9	12	31.70	317.0	47.40
8	469.9	63.50	269.7	12	38.10	393.7	82.5
10	546.1	69.85	323.9	16	38.10	469.9	122
12	609.6	79.25	381.0	20	38.10	533.4	173
14	641.3	85.80	412.8	20	41.10	556.8	206
16	704.8	88.90	469.9	20	44.40	615.9	259
18	787.4	101.6	533.4	20	50.80	695.9	367
20	857.2	107.9	584.2	20	53.80	749.3	483
24	1061.4	139.7	692.2	20	65.55	901.7	876

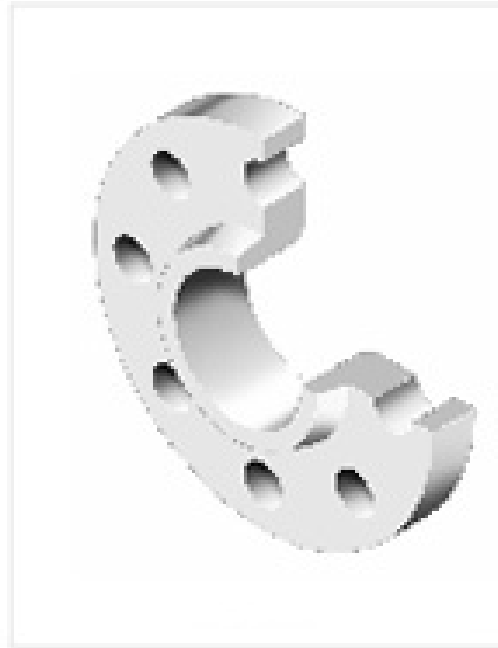
Dimensões em mm.

Flange Cego ANSI B16.5 Classe 1500 lbs



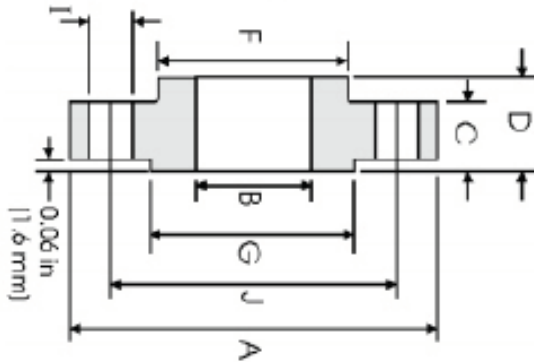
DN	A	C	G	N° FUROS	I	J	Peso
1/2	120.6	22.30	35.10	4	22.30	82.50	1.77
3/4	130.0	25.40	42.90	4	22.30	88.90	2.42
1	149.3	28.40	50.80	4	25.40	101.6	3.57
1 1/4	158.7	28.40	63.50	4	25.40	111.2	4.15
1 1/2	177.8	31.70	73.15	4	28.40	123.9	5.75
2	215.9	38.10	91.90	8	25.40	165.1	10.1
2 1/2	244.3	41.10	104.6	8	28.40	190.5	14.0
3	266.7	47.70	127.0	8	31.70	203.2	19.1
4	311.1	53.80	157.2	8	35.00	241.3	29.9
5	374.6	73.15	185.7	8	41.10	292.1	58.4
6	393.7	82.50	215.9	12	38.10	317.5	71.8
8	482.6	91.90	269.7	12	44.40	393.7	122
10	584.2	107.9	323.9	12	50.80	482.6	210
12	673.1	123.9	381.0	16	53.8	571.5	316
14	749.3	133.3	412.8	16	60.45	635.0	420
16	825.5	146.0	469.9	16	66.55	704.8	558
18	914.4	162.0	533.4	16	73.15	774.7	760
20	984.2	177.8	584.2	16	79.25	831.8	965
24	1166.4	203.2	692.2	16	91.90	990.6	1558

Dimensões em mm.



FLANGE S/O ANSI B16.5

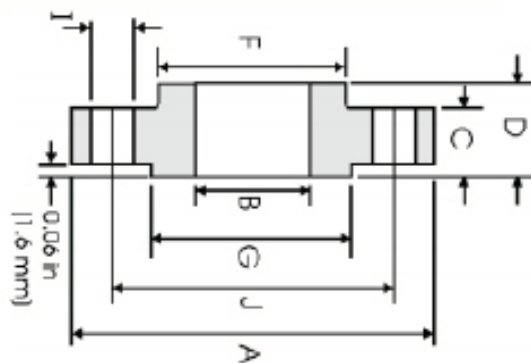
Flange Slip On (SO) ANSI B16.5 Classe 150 lbs



DN	A	B	C	D	F	G	Nº FURROS	I	J	Peso
1/2	86.90	22.40	11.20	15.70	30.20	35.10	4	15.70	60.45	0.39
3/4	98.00	27.70	12.70	15.70	38.10	42.80	4	15.70	69.85	0.56
1	108.0	34.50	14.20	17.50	49.30	50.80	4	15.70	79.25	0.78
1 1/4	117.3	43.20	15.70	20.60	58.70	63.50	4	15.70	88.90	1.03
1 1/2	127.0	49.50	17.50	22.40	65.00	73.15	4	15.70	98.60	1.32
2	152.4	62.00	19.10	25.40	77.70	91.80	4	19.10	120.7	2.06
2 1/2	177.8	74.70	22.40	28.40	90.40	104.6	4	19.10	139.7	3.28
3	190.5	90.70	23.90	30.20	108.0	127.0	4	19.10	152.4	3.85
3 1/2	215.9	103.4	23.90	31.75	122.2	139.7	8	19.10	177.8	4.81
4	228.6	116.1	23.90	33.30	134.9	157.2	8	19.10	190.5	5.30
5	254.0	143.8	23.90	36.60	183.6	185.7	8	22.40	215.9	6.07
6	279.4	170.7	25.40	39.60	192.0	215.9	8	22.40	241.3	7.45
8	342.9	221.5	28.40	44.50	246.1	269.7	8	22.40	298.5	12.1
10	406.4	275.3	30.20	49.30	304.8	323.9	12	25.40	362.0	16.5
12	482.6	327.1	31.75	55.60	385.3	381.0	12	25.40	431.8	26.2
14	533.4	359.1	35.10	57.15	400.1	412.8	12	28.40	476.3	34.6
16	596.9	410.5	36.60	63.50	457.2	469.9	16	28.40	539.8	44.8
18	635.0	461.8	39.60	68.30	505.0	533.4	16	31.75	577.9	48.9
20	698.5	513.1	42.90	73.15	558.8	584.2	20	31.75	635.0	61.9
24	812.8	616.0	47.80	82.60	663.4	692.2	20	35.10	749.3	86.9

Dimensões em mm.

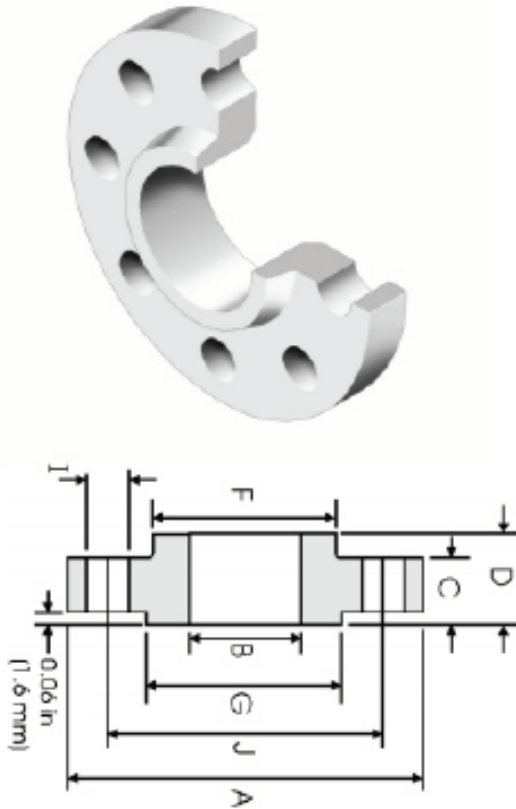
Flange Slip On (SO) ANSI B16.5 Classe 300 lbs



DN	A	B	C	D	F	G	n° FUROS	I	J	Peso
1/2	95.20	22.40	14.20	22.40	38.10	35.10	4	15.70	66.55	0.64
3/4	117.3	27.70	15.70	25.40	47.70	42.90	4	19.10	82.50	1.12
1	123.9	34.50	17.50	26.90	53.80	50.80	4	19.10	88.90	1.36
1 1/4	133.3	43.20	19.00	26.90	63.50	63.50	4	19.10	98.60	1.68
1 1/2	155.4	49.50	20.60	30.20	69.85	73.15	4	22.40	114.3	2.49
2	165.1	62.00	22.30	33.20	84.00	91.90	8	19.10	127.0	2.87
2 1/2	190.5	74.70	25.40	38.10	100.0	104.6	8	22.40	149.4	4.32
3	209.5	90.70	28.40	42.90	117.3	127.0	8	22.40	168.1	5.85
3 1/2	226.6	103.4	30.20	44.40	133.3	139.7	8	22.40	184.2	7.34
4	254.0	116.1	31.70	47.70	146.0	157.2	8	22.40	200.1	9.61
5	279.4	143.8	35.00	50.80	177.8	185.7	8	22.40	234.9	12.3
6	317.5	170.7	36.50	52.30	208.2	215.9	12	22.40	269.7	15.6
8	381.0	221.5	41.10	61.90	260.3	269.7	12	25.40	330.2	24.2
10	444.5	276.3	47.70	66.55	320.5	323.9	16	28.40	367.3	34.1
12	520.7	327.1	50.80	73.15	374.6	381.0	16	31.70	450.8	49.8
14	584.2	359.1	53.80	76.20	425.4	412.8	20	31.70	514.4	69.9
16	647.7	410.5	57.15	82.50	482.6	469.9	20	35.00	571.5	88.1
18	711.2	461.8	60.45	88.90	533.4	533.4	24	35.00	628.7	109
20	774.7	513.1	63.50	95.20	587.2	584.2	24	35.00	685.8	134
24	914.4	616.0	69.85	106.4	701.5	692.2	24	41.00	812.8	201

Dimensões em mm.

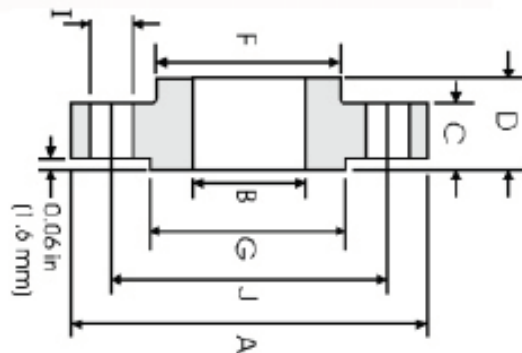
Flange Slip On (SO) ANSI B16.5 Classe 600 lbs



DN	A	B	C	D	F	G	Nº FUROS	I	J	Peso
1/2	95.30	22.40	14.20	22.40	38.10	35.10	4	15.70	66.55	0.74
3/4	117.3	27.70	15.70	25.40	47.80	42.90	4	19.10	82.60	1.27
1	124.0	34.50	17.50	28.90	53.80	50.80	4	19.10	88.90	1.52
1 1/4	133.4	43.20	20.60	28.40	63.50	63.50	4	19.10	96.60	2.03
1 1/2	155.4	49.50	22.40	31.75	69.85	73.15	4	22.40	114.3	2.96
2	165.1	62.00	25.40	36.80	84.10	91.90	6	19.10	127.0	3.62
2 1/2	190.5	74.70	28.40	41.10	100.1	104.6	8	22.40	149.4	5.28
3	209.6	90.70	31.75	46.00	117.3	127.0	6	22.40	168.1	7.00
3 1/2	228.6	103.4	35.10	49.30	133.4	139.7	8	25.40	184.2	8.84
4	273.1	116.1	38.10	53.80	152.4	157.2	6	25.40	215.9	14.5
5	330.2	143.8	44.50	60.45	189.0	185.7	8	28.40	266.7	24.4
6	355.6	170.7	47.80	66.55	222.3	215.9	12	28.40	292.1	28.7
8	419.1	221.5	55.60	76.20	273.1	269.7	12	31.75	349.3	43.4
10	508.0	276.3	63.50	85.90	342.9	323.9	16	35.10	431.8	70.3
12	558.8	327.1	66.55	91.90	400.1	381.0	20	35.10	469.0	84.2
14	603.3	359.1	69.85	93.70	431.8	412.8	20	38.10	527.1	98.7
16	665.8	410.5	76.20	106.4	495.3	469.9	20	41.10	603.3	142
18	743.0	461.8	82.60	117.3	546.1	533.4	20	44.50	654.1	173
20	812.8	513.1	88.90	127.0	609.6	584.2	24	44.50	723.9	220
24	939.8	616.0	101.6	139.7	717.6	692.2	24	50.80	838.2	312

Dimensões em mm.

Flange Slip On (SO) ANSI B16.5 Classe 900 lbs



DN	A	B	C	D	F	G	Nº FURCOS	I	J	Peso
1/2	120.6	22.40	22.40	31.70	38.10	35.10	4	22.40	82.50	1.74
3/4	130.0	27.70	25.40	35.00	44.40	42.90	4	22.40	88.90	2.34
1	149.3	34.50	28.40	41.10	52.30	50.80	4	25.40	101.6	3.44
1 1/4	158.7	43.20	28.40	41.10	63.50	63.50	4	25.40	111.2	3.91
1 1/2	177.8	49.50	31.70	44.50	69.85	73.15	4	28.40	123.9	5.35
2	215.9	62.00	38.10	57.15	104.6	91.90	8	25.40	165.1	9.85
2 1/2	244.3	74.70	41.10	63.50	123.9	104.6	8	28.40	190.5	13.7
3	241.3	90.70	38.10	53.80	127.0	127.0	8	25.40	190.5	11.6
4	292.1	116.1	44.40	69.85	158.7	157.2	8	31.70	234.9	19.7
5	349.2	143.8	50.80	79.25	190.5	185.7	8	35.00	279.4	31.9
6	381.0	170.7	55.60	85.80	234.9	215.9	12	31.70	317.5	41.1
8	499.9	221.5	63.50	101.6	298.4	299.7	12	38.10	393.7	70.7
10	546.1	276.3	69.85	107.9	368.3	323.9	16	38.10	469.9	101
12	609.6	327.1	79.25	117.3	419.1	381.0	20	38.10	533.4	133
14	641.3	359.1	85.80	130.0	450.8	412.8	20	41.10	558.8	153
16	704.8	410.5	88.90	133.3	508.0	469.9	20	44.40	615.9	185
18	797.4	461.8	101.6	152.4	565.1	533.4	20	50.80	685.8	258
20	857.2	513.1	107.9	158.7	622.3	594.2	20	53.80	749.3	317
24	1041.4	616.0	139.7	203.2	749.3	692.2	20	66.55	901.7	606

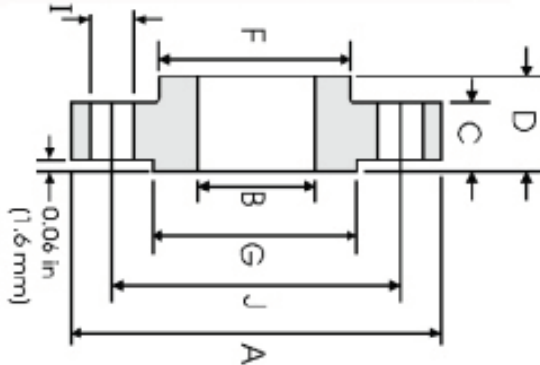
Dimensões em mm.

Flange Slip On (SO) ANSI B16.5 Classe 1500 lbs



DN	A	B	C	D	F	G	Nº FURROS	I	J	Peso
1/2	4.750 120.6	0.880 22.40	0.880 22.40	1.250 31.70	1.600 38.10	1.380 35.10	4	0.880 22.40	3.250 82.50	1.74
3/4	5.120 130.0	1.090 27.70	1.000 25.40	1.380 35.00	1.750 44.40	1.690 42.90	4	0.880 22.40	3.500 88.90	2.34
1	5.880 149.3	1.380 34.50	1.120 28.40	1.620 41.10	2.060 52.30	2.000 50.80	4	1.000 25.40	4.000 101.6	3.44
1 1/4	6.250 158.7	1.700 43.20	1.120 28.40	1.620 41.10	2.500 63.50	2.500 63.50	4	1.000 25.40	4.380 111.2	3.91
1 1/2	7.000 177.8	1.950 49.50	1.250 31.70	1.750 44.50	2.750 69.85	2.880 73.15	4	1.120 28.40	4.880 123.9	5.36
2	8.500 215.9	2.440 62.00	1.500 38.10	2.250 57.15	4.120 104.6	3.620 91.60	8	1.000 25.40	6.500 165.1	9.85
2 1/2	9.820 244.3	2.940 74.70	1.620 41.10	2.500 63.50	4.880 123.6	4.120 104.6	8	1.120 28.40	7.500 190.5	13.7

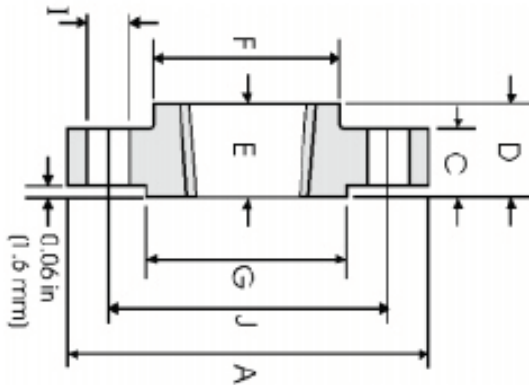
Dimensões em mm.





FLANGE ROSCADO ANSI B16.5

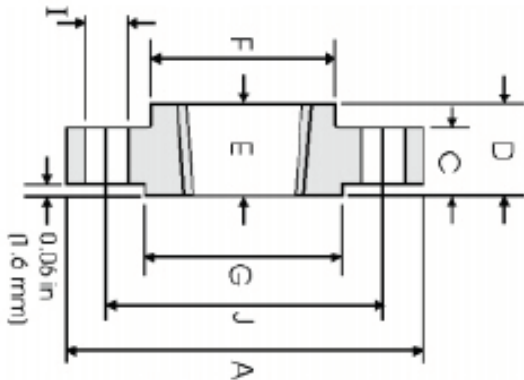
Flange Roscado ANSI B16.5 Classe 150 lbs



DN	A	C	D	E	F	G	Nº FURDS	I	J	Peso
1/2	88.90	11.20	15.70	15.70	30.20	35.10	4	15.70	60.45	0.39
3/4	98.80	12.70	15.70	15.70	38.10	42.90	4	15.70	69.85	0.56
1	108.0	14.20	17.50	17.50	49.30	50.80	4	15.70	79.25	0.78
1 1/4	117.3	15.70	20.60	20.60	58.70	63.50	4	15.70	88.90	1.03
1 1/2	127.0	17.50	22.40	22.30	65.00	73.15	4	15.70	98.50	1.32
2	152.4	19.10	25.40	25.40	77.70	91.90	4	19.10	120.7	2.06
2 1/2	177.8	22.40	28.40	28.40	90.40	104.6	4	19.10	139.7	3.28
3	190.5	23.90	30.20	30.20	108.0	127.0	4	19.10	152.4	3.85
3 1/2	215.9	23.90	31.75	31.75	122.2	139.7	8	19.10	177.8	4.81
4	228.6	23.90	33.30	33.30	134.9	157.2	8	19.10	190.5	5.30
5	254.0	23.90	36.60	36.60	163.6	185.7	8	22.40	215.9	8.07
6	279.4	25.40	39.60	39.60	192.0	215.9	8	22.40	241.3	7.45
8	342.9	28.40	44.50	44.50	245.1	269.7	8	22.40	298.5	12.1
10	406.4	30.20	49.30	49.30	304.8	323.9	12	25.40	362.0	16.5
12	482.6	31.75	55.60	55.80	365.3	381.0	12	25.40	431.8	26.2
14	533.4	35.10	57.15	57.15	400.1	412.7	12	28.40	476.3	34.6
16	596.9	36.60	63.50	63.50	457.2	469.9	16	28.40	539.8	44.8
18	635.0	39.60	68.30	68.30	505.0	533.4	16	31.75	577.9	46.9
20	698.5	42.90	73.15	73.15	558.8	584.2	20	31.75	635.0	81.9
24	812.8	47.80	82.60	82.60	663.4	692.2	20	35.10	749.3	86.9

Dimensões em mm.

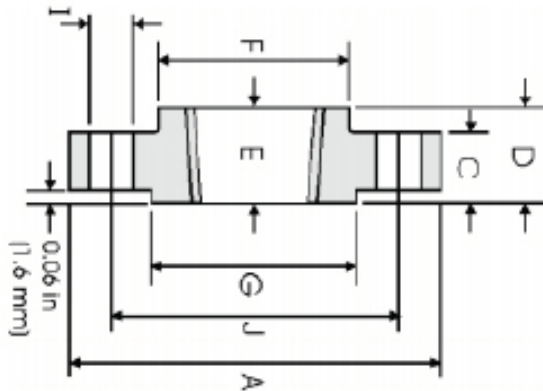
Flange Roscado ANSI B16.5 Classe 300 lbs



DN	A	B	C	D	E	F	G	n° Furos	I	J	Peso
1/2	95.20	23.80	14.20	22.30	15.70	38.10	35.00	4	15.70	65.55	0.84
3/4	117.3	29.00	15.70	25.40	15.70	47.70	42.90	4	19.00	82.50	1.12
1	123.9	35.80	17.50	26.90	17.50	53.80	50.80	4	19.00	89.90	1.36
1 1/4	133.3	44.40	19.00	28.90	20.60	63.50	63.50	4	19.00	98.50	1.88
1 1/2	155.4	50.50	20.60	30.20	22.30	69.85	73.15	4	22.30	114.3	2.49
2	165.1	63.50	22.30	33.20	28.40	84.00	91.90	8	19.00	127.0	2.87
2 1/2	190.5	78.20	25.40	38.10	31.70	100.0	104.8	8	22.30	149.3	4.32
3	209.5	92.20	28.40	42.90	31.70	117.3	127.0	8	22.30	156.1	5.85
3 1/2	228.6	104.9	30.20	44.40	36.50	133.3	139.7	8	22.30	184.1	7.34
4	254.0	117.6	31.70	47.70	36.50	146.0	157.2	8	22.30	200.1	9.81
5	279.4	144.5	35.00	50.80	42.90	177.8	185.7	8	22.30	234.9	12.3
6	317.5	171.4	36.50	52.30	45.90	206.2	215.9	12	22.30	299.7	15.6
8	381.0	222.2	41.10	61.90	50.80	260.3	269.7	12	25.40	330.2	24.2
10	444.5	276.3	47.70	66.56	55.60	320.5	323.9	16	28.40	397.3	34.1
12	520.7	328.7	50.80	73.15	60.45	374.6	381.0	16	31.70	450.8	49.8
14	584.2	380.4	53.80	76.20	63.50	425.4	412.7	20	31.70	514.3	69.9
16	647.7	411.2	57.15	82.50	68.30	482.6	469.9	20	35.00	571.5	88.1
18	711.2	462.0	60.45	88.90	69.85	533.4	533.4	24	35.00	628.6	109
20	774.7	512.6	63.50	95.2	73.15	597.2	584.2	24	35.00	695.8	134
24	914.4	614.4	69.85	106.4	82.50	701.5	692.2	24	41.10	812.8	201

Dimensões em mm.

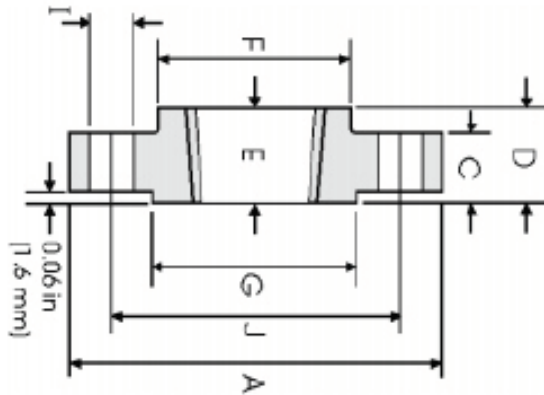
Flange Roscado ANSI B16.5 Classe 600 lbs



DN	A	B	C	D	E	F	G	Nº BUELOS	I	J	Peso
1/2	95.20	23.00	14.20	22.40	15.70	38.10	35.10	4	15.70	66.55	0.74
3/4	117.3	29.00	15.70	25.40	15.70	47.80	42.90	4	19.10	82.60	1.27
1	124.0	35.80	17.50	26.90	17.50	53.80	50.80	4	19.10	88.90	1.52
1 1/4	133.4	44.50	20.60	28.40	20.60	63.50	63.50	4	19.10	98.60	2.03
1 1/2	155.4	50.50	22.40	31.75	22.40	69.85	73.15	4	22.40	114.3	2.96
2	185.1	63.50	25.40	36.60	26.40	84.10	91.90	8	19.10	127.0	3.62
2 1/2	190.5	76.20	28.40	41.10	31.75	100.1	104.6	8	22.40	149.4	5.28
3	209.6	92.20	31.75	46.00	35.10	117.3	127.0	8	22.40	168.1	7.00
3 1/2	228.6	104.9	35.10	49.30	39.60	133.4	139.7	8	25.40	184.2	8.84
4	273.1	117.6	38.10	53.80	41.10	152.4	157.2	8	25.40	215.9	14.5
5	330.2	144.5	44.50	60.45	47.80	189.0	185.7	8	28.40	266.7	24.4
6	355.6	171.5	47.80	66.55	50.80	222.3	215.9	12	28.40	292.1	26.7
8	419.1	222.3	55.60	76.20	57.15	273.1	269.7	12	31.75	349.3	43.4
10	508.0	276.4	63.50	85.90	65.00	342.9	323.9	18	35.10	431.8	70.3
12	558.8	328.7	66.55	91.90	69.85	400.1	381.0	20	35.10	489.0	84.2
14	603.3	360.4	69.85	93.70	73.15	431.8	412.8	20	38.10	527.1	96.7
16	685.8	411.2	76.20	106.4	77.70	495.3	469.9	20	41.10	603.3	142
18	743.0	462.0	82.60	117.3	79.25	546.1	533.4	20	44.50	654.1	173
20	812.8	512.8	88.90	127.0	82.60	609.6	584.2	24	44.50	723.9	220
24	939.8	614.4	101.6	139.7	91.60	717.6	692.2	24	50.80	838.2	312

Dimensões em mm

Flange Roscado ANSI B16.5 Classe 900 lbs



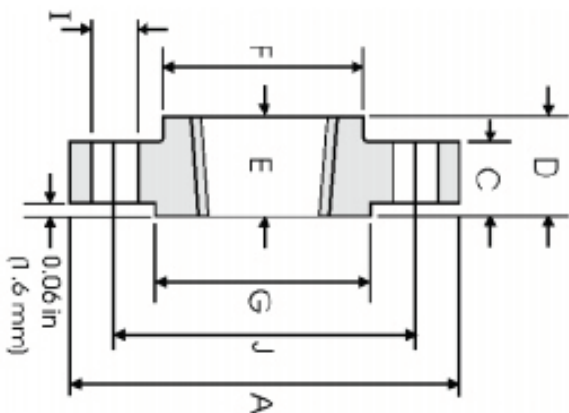
DN	A	B	C	D	E	F	G	Nº FURROS	I	J	Peso
1/2	120.6	23.60	22.30	31.70	22.30	38.10	35.10	4	22.30	82.50	1.74
3/4	130.0	29.00	25.40	35.00	25.40	44.40	42.90	4	22.30	88.90	2.34
1	149.3	35.80	28.40	41.10	28.40	52.30	50.80	4	25.40	101.6	3.44
1 1/4	158.7	44.40	28.40	41.10	30.20	63.50	63.50	4	25.40	111.2	3.91
1 1/2	177.8	50.50	31.70	44.50	31.70	69.85	73.15	4	28.40	123.9	5.38
2	215.9	63.50	36.10	57.15	36.10	104.6	81.90	8	25.40	165.1	9.85
2 1/2	244.3	76.20	41.10	63.50	47.70	123.9	104.6	8	28.40	190.5	13.7
3	241.3	92.20	36.10	53.80	41.10	127.0	127.0	8	25.40	190.5	11.6
4	292.1	117.6	44.40	69.85	47.80	159.7	157.2	8	31.70	234.9	19.7
5	349.2	144.5	50.80	79.25	53.80	190.5	185.7	8	35.00	279.4	31.9
6	381.0	171.4	55.60	85.80	57.15	234.9	215.9	12	31.70	317.5	41.1
8	469.9	222.2	63.50	101.6	63.50	298.4	269.7	12	36.10	393.7	70.7
10	546.1	276.3	69.85	107.9	71.40	369.3	323.9	16	36.10	469.9	101
12	609.6	328.7	79.40	117.3	76.20	419.1	381.0	20	38.10	533.4	133
14	641.3	360.4	85.70	130.0	82.50	450.6	412.7	20	41.10	558.8	153
16	704.8	411.2	88.90	133.3	85.90	509.0	469.9	20	44.40	618.9	185
18	787.4	462.0	101.6	152.4	98.90	565.1	533.4	20	50.80	685.8	258
20	857.2	512.8	107.9	158.7	91.90	622.3	584.2	20	53.80	749.3	317
24	1041.4	614.4	139.7	203.2	101.6	749.3	692.2	20	66.55	901.7	606

Dimensões em mm.

Flange Roscado ANSI B16.5 Classe 1500 lbs



DN	A	B	C	D	E	F	G	Nº FURCS	I	J	Peso
1/2	120.6	23.60	22.30	31.70	22.30	38.10	35.00	4	22.30	82.50	1.74
3/4	130.0	26.00	25.40	35.00	25.40	44.40	42.00	4	22.30	88.90	2.34
1	149.3	35.80	28.40	41.10	28.40	52.30	50.80	4	25.40	101.6	3.44
1 1/4	158.7	44.40	28.40	41.10	30.20	63.50	63.50	4	25.40	111.2	3.91
1 1/2	177.8	50.50	31.70	44.50	31.70	69.85	73.15	4	28.40	123.9	5.36
2	215.9	63.50	38.10	57.15	38.10	104.6	91.90	8	25.40	165.1	9.85
2 1/2	244.3	76.20	41.10	63.50	47.70	123.9	104.6	8	28.40	190.5	13.7

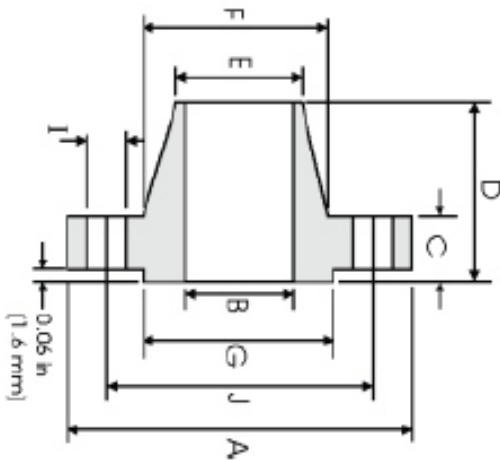


Dimensões em mm.



FLANGE WIN ANSI B16.5

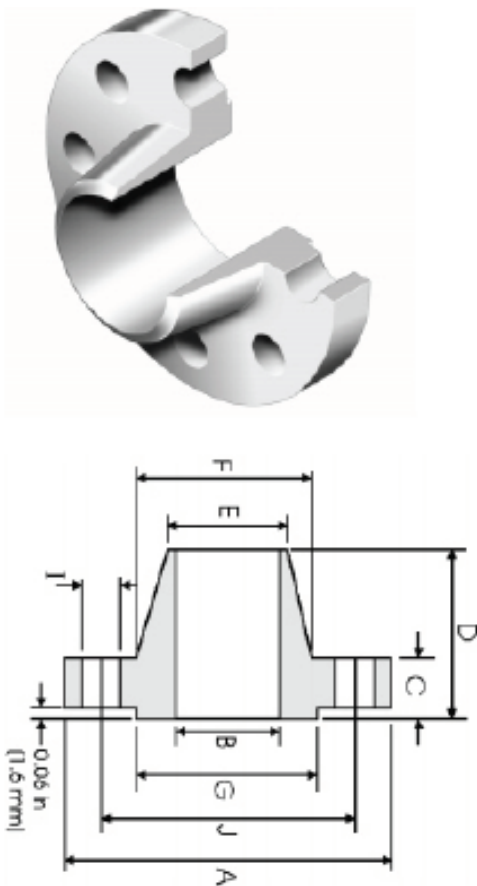
Flange Pescoço (WN) ANSI B16.5 Classe 150 lbs



DN	A	B	C	D	E	F	G	Nº Furos	I	J	Peso
1/2	88.90	15.70	11.20	47.80	21.30	30.20	35.00	4	15.70	60.45	0.48
3/4	98.60	20.80	12.70	52.30	26.70	38.10	42.90	4	15.70	69.85	0.71
1	108.0	26.70	14.20	55.60	33.50	49.30	50.80	4	15.70	79.25	1.01
1 1/4	117.3	35.10	15.70	57.15	42.20	58.70	63.50	4	15.70	88.90	1.33
1 1/2	127.0	40.90	17.50	62.00	48.30	65.00	73.15	4	15.70	98.60	1.72
2	152.4	52.60	19.10	63.50	60.45	77.70	91.90	4	19.10	120.7	2.58
2 1/2	177.8	62.70	22.40	69.85	73.15	90.40	104.6	4	19.10	139.7	4.11
3	190.5	78.00	23.90	69.85	88.90	108.0	127.0	4	19.10	152.4	4.92
3 1/2	215.9	90.20	23.90	71.40	101.6	122.2	139.7	8	19.10	177.8	6.08
4	228.6	102.4	23.90	76.20	114.3	134.9	157.2	8	19.10	190.5	6.84
5	254.0	128.3	23.90	88.90	141.2	163.6	185.7	8	22.40	215.9	8.56
6	279.4	154.2	25.40	88.90	168.4	192.0	215.9	8	22.40	241.3	10.6
8	342.9	202.7	28.40	101.6	219.2	246.1	269.7	8	22.40	298.5	17.6
10	406.4	254.5	30.20	101.6	273.0	304.8	323.8	12	25.40	362.0	24.0
12	482.6	304.8	31.75	114.3	323.8	365.3	381.0	12	25.40	431.8	36.5
14	533.4		35.10	127.0	355.6	400.1	412.7	12	28.40	476.3	48.4
16	596.9		36.60	127.0	406.4	475.2	469.9	16	28.40	539.8	60.6
18	635.0		39.60	139.7	457.2	505.0	533.4	16	31.75	577.9	68.3
20	698.5		42.90	144.5	508.0	558.8	584.2	20	31.75	635.0	84.5
24	812.8		47.80	152.4	609.6	663.4	692.1	20	35.10	749.3	115

Dimensões em mm.

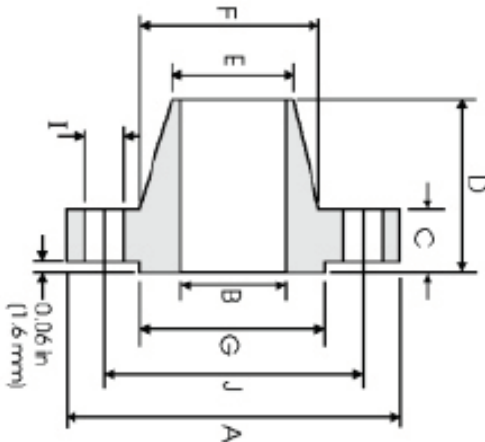
Flange Pescoço (WN) ANSI B16.5 Classe 300 lbs



DN	A	B	C	D	E	F	G	Nº FURROS	I	J	Peso
1/2	95.20	15.70	14.20	52.30	21.30	38.10	35.00	4	15.70	66.55	0.75
3/4	117.3	20.80	15.70	57.15	26.70	47.70	42.90	4	19.00	82.50	1.26
1	123.9	26.70	17.50	62.00	33.50	53.80	50.80	4	19.00	88.90	1.52
1 1/4	133.3	35.10	19.00	65.00	42.20	63.50	63.50	4	19.00	98.50	2.03
1 1/2	155.4	40.90	20.60	68.30	48.30	69.85	73.15	4	22.30	114.3	2.89
2	165.1	52.80	22.30	69.85	60.45	84.00	91.90	8	19.00	127.0	3.40
2 1/2	190.5	62.70	25.40	76.20	73.15	100.0	104.6	8	22.30	149.3	5.17
3	209.5	78.00	28.40	79.25	88.90	117.3	127.0	8	22.30	166.1	6.93
3 1/2	228.6	90.20	30.20	81.00	101.6	133.3	139.7	8	22.30	184.1	8.67
4	254.0	102.4	31.70	85.80	114.3	146.0	157.2	8	22.30	200.1	11.2
5	279.4	128.3	35.00	98.50	141.2	177.8	185.7	8	22.30	234.9	15.1
6	317.5	154.2	36.50	98.50	168.4	206.2	215.9	12	22.30	269.7	19.1
8	381.0	202.7	41.10	111.2	219.2	260.3	269.7	12	25.40	330.2	29.9
10	444.5	254.5	47.70	117.3	273.0	320.5	323.8	16	28.40	387.3	42.7
12	520.7	304.8	50.80	130.0	323.6	374.6	381.0	16	31.70	450.8	61.8
14	584.2		53.80	142.7	355.6	425.4	412.7	20	31.70	514.3	85.8
16	647.7		57.15	146.0	406.4	482.6	469.9	20	35.00	571.5	106
18	711.2		60.45	158.7	457.2	533.4	533.4	24	35.00	628.6	131
20	774.7		63.50	162.0	508.0	587.2	584.2	24	35.00	685.8	158
24	914.4		69.85	168.1	609.6	701.5	692.1	24	41.10	812.6	230

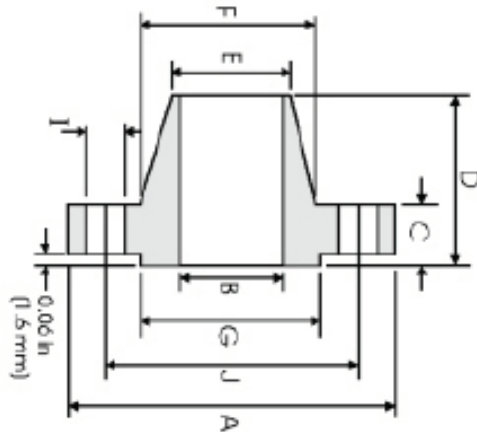
Dimensões em mm.

Flange Pescoço (WN) ANSI B16.5 Classe 600 lbs



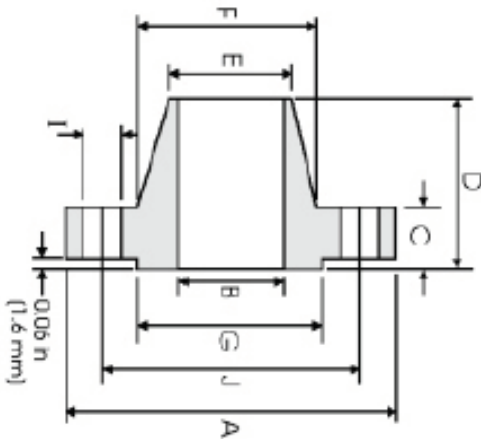
DN	A	B	C	D	E	F	G	Nº Furos	I	J	Peso
1/2	95.30		14.20	52.30	21.30	38.10	35.00	4	15.70	66.55	0.87
3/4	117.3		15.70	57.15	26.70	47.60	42.90	4	19.10	82.60	1.45
1	124.0		17.50	62.00	33.50	53.80	50.80	4	19.10	88.90	1.76
1 1/4	133.4		20.60	66.55	42.20	63.50	63.50	4	19.10	98.60	2.49
1 1/2	155.4		22.40	69.85	48.30	69.85	73.15	4	22.40	114.3	3.49
2	165.1		25.40	73.15	60.45	84.10	91.90	8	19.10	127.0	4.36
2 1/2	190.5		28.40	79.25	73.15	100.1	104.6	8	22.40	149.4	6.43
3	209.6		31.75	82.90	88.90	117.3	127.0	8	22.40	166.1	8.53
3 1/2	228.6		35.10	85.90	101.6	133.4	139.7	8	25.40	184.2	10.7
4	273.1		38.10	101.6	114.3	152.4	157.2	8	25.40	215.9	17.4
5	330.2		44.50	114.3	141.2	169.0	185.7	8	26.40	266.7	29.2
6	355.6		47.80	117.3	169.4	222.3	215.9	12	26.40	292.1	34.9
8	419.1		55.60	133.4	219.2	273.1	286.7	12	31.75	349.3	53.9
10	508.0		63.50	152.4	273.0	342.9	323.8	16	35.10	431.8	86.5
12	558.8		66.55	155.4	323.8	400.1	381.0	20	35.10	489.0	103
14	603.3		69.85	165.1	355.6	431.8	412.7	20	38.10	527.1	122
16	685.8		76.20	177.8	406.4	495.3	459.9	20	41.10	603.3	170
18	743.0		82.60	184.2	457.2	546.1	533.4	20	44.50	654.1	204
20	812.8		88.90	190.5	508.0	609.6	584.2	24	44.50	723.9	254
24	939.8		101.6	203.2	609.6	717.6	692.1	24	50.80	836.2	358

Dimensões em mm.



DN	A	B	C	D	E	F	G	Nº FURROS	I	J	Peso
1/2	120.6		22.30	60.45	21.30	38.10	35.00	4	22.30	82.50	1.87
3/4	130.0		25.40	69.85	26.70	44.00	42.90	4	22.30	88.90	2.56
1	149.3		28.40	73.15	33.50	52.30	50.80	4	25.40	101.8	3.74
1 1/4	158.7		28.40	73.15	42.20	63.50	63.50	4	25.40	111.2	4.33
1 1/2	177.8		31.70	82.50	48.30	69.85	73.15	4	28.40	123.9	5.94
2	215.9		38.10	101.6	60.45	104.6	91.80	8	25.40	165.1	10.8
2 1/2	244.3		41.10	104.6	73.15	123.9	104.6	8	28.40	190.5	15.0
3	241.3		38.10	101.6	88.90	127.0	127.0	8	25.40	190.5	13.7
4	292.1		44.40	114.3	114.3	158.7	157.2	8	31.70	234.9	22.5
5	349.2		50.80	127.0	141.2	190.5	185.7	8	35.00	279.4	37.4
6	381.0		55.60	139.7	168.4	234.9	215.9	12	31.70	317.5	47.7
8	469.9		63.50	182.0	219.2	298.4	269.7	12	38.10	393.7	81.3
10	546.1		69.85	184.1	273.0	368.3	323.8	16	38.10	469.9	119
12	609.6		76.25	200.1	323.8	419.1	381.0	20	38.10	533.4	157
14	641.3		85.60	212.8	355.8	450.8	412.7	20	41.10	558.8	180
16	704.8		88.90	215.9	406.4	508.0	469.9	20	44.40	615.9	217
18	787.4		101.6	228.6	457.2	565.1	533.4	20	50.80	685.8	292
20	857.2		107.9	247.6	508.0	622.3	584.2	20	53.80	749.3	362
24	1041.4		139.7	292.1	609.6	749.3	692.1	20	66.55	901.7	666

Dimensões em mm.



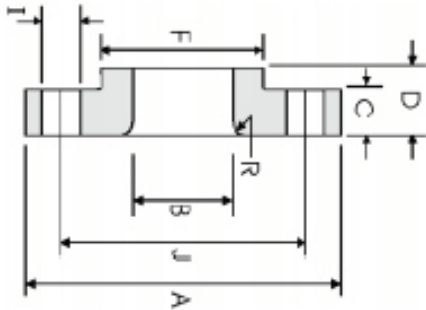
DN	A	B	C	D	E	F	G	n° Furos	I	J	Peso
1/2	120.6		22.30	60.45	21.30	38.10	35.00	4	22.30	82.50	1.87
3/4	130.0		25.40	69.85	26.70	44.00	42.90	4	22.30	88.90	2.56
1	149.3		28.40	73.15	33.50	52.30	50.80	4	25.40	101.6	3.74
1 1/4	156.7		28.40	73.15	42.20	63.50	63.50	4	25.40	111.2	4.33
1 1/2	177.8		31.70	82.50	48.30	69.85	73.15	4	28.40	123.9	5.94
2	215.9		38.10	101.6	60.45	104.6	91.90	8	25.40	165.1	10.8
2 1/2	244.3		41.10	104.6	73.15	123.9	104.6	8	28.40	190.5	15.0
3	266.7		47.70	177.3	88.90	133.3	127.0	8	31.70	203.2	19.9
4	311.1		53.80	123.9	114.3	182.0	157.2	8	35.00	241.3	29.9
5	374.6		73.15	155.4	141.2	196.8	185.7	8	41.10	282.1	55.4
6	393.7		82.50	171.4	166.4	228.6	215.9	12	38.10	317.5	68.4
8	432.6		91.90	212.8	219.2	292.1	269.7	12	44.40	393.7	117
10	594.2		107.0	254.0	273.0	388.3	323.8	12	50.80	482.6	194
12	673.1		123.9	282.4	323.6	450.8	381.0	16	53.60	571.5	288
14	749.3		133.3	298.4	355.6	495.3	412.7	16	50.45	635.0	380
16	825.5		146.0	311.1	406.4	552.4	469.9	16	66.55	704.8	486
18	914.4		162.0	327.1	457.2	596.9	533.4	16	73.15	774.7	644
20	994.2		177.8	355.6	508.0	641.3	584.2	16	79.25	831.8	775
24	1169.4		203.2	406.4	609.6	782.0	692.1	16	91.90	990.6	1232

Dimensões em mm.



FLANGE WIN ANSI B16.5

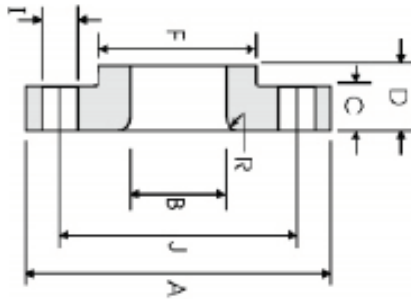
Flange Solto (LJ) ANSI B16.5 Classe 150 lbs



DN	A	B	C	D	R	F	Nº FURDS	I	J	Peso
1/2	88.90	22.90	11.20	15.70	3.000	30.20	4	15.70	60.45	0.38
3/4	98.60	28.20	12.70	15.70	3.000	38.10	4	15.70	69.85	0.55
1	108.0	35.10	14.26	17.50	3.000	49.30	4	15.70	79.25	0.76
1 1/4	117.3	43.70	15.70	20.60	4.800	58.70	4	15.70	88.90	1.01
1 1/2	127.0	50.00	17.50	22.40	6.400	65.00	4	15.70	98.60	1.30
2	152.4	62.50	19.10	25.40	7.900	77.70	4	19.10	120.7	2.03
2 1/2	177.8	75.40	22.40	28.40	7.900	90.40	4	19.10	139.7	3.25
3	190.5	91.40	23.90	30.20	9.700	108.0	4	19.10	152.4	3.61
3 1/2	215.9	104.1	23.90	31.75	9.700	122.2	6	19.10	177.8	4.76
4	228.6	116.8	23.90	33.30	11.20	134.9	6	19.10	190.5	5.25
5	254.0	114.5	23.90	36.60	11.20	163.6	6	22.40	215.9	6.02
6	279.4	171.5	25.40	39.60	12.70	192.0	6	22.40	241.3	7.40
8	342.9	222.3	26.40	44.50	12.70	240.1	6	22.40	298.5	12.1
10	406.4	277.4	30.20	49.30	12.70	304.8	12	25.40	362.0	16.4
12	482.6	328.2	31.75	55.60	12.70	365.3	12	25.40	431.8	26.1
14	533.4	360.2	35.10	79.25	12.70	400.1	12	28.40	476.3	34.5
16	596.9	411.2	36.60	87.40	12.70	457.2	16	28.40	539.8	44.6
18	635.0	462.3	39.60	96.80	12.70	505.0	16	31.75	577.9	48.7
20	698.5	514.4	42.90	103.1	12.70	558.8	20	31.75	635.0	61.6
24	812.8	616.0	47.80	111.3	12.70	663.4	20	35.10	749.3	86.6

Dimensões em mm.

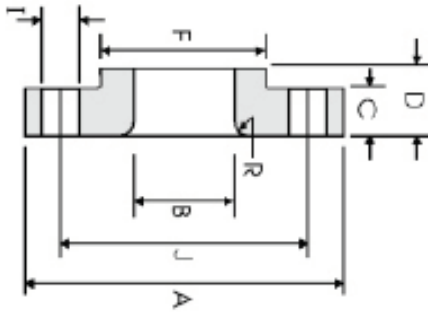
Flange Solto (LJ) ANSI B16.5 Classe 300 lbs



DN	A	B	C	D	R	F	Nº Furos	I	J	Peso
1/2	95.20	22.90	14.20	22.30	3.000	38.10	4	15.70	66.55	0.62
3/4	117.3	28.20	15.70	25.40	3.000	47.70	4	19.00	82.50	1.10
1	123.9	35.10	17.50	26.90	3.000	53.80	4	19.0	88.90	1.33
1 1/4	133.3	43.70	19.00	26.90	4.800	63.50	4	19.00	98.50	1.65
1 1/2	155.4	50.00	20.80	30.20	6.400	69.85	4	22.30	114.3	2.44
2	165.1	62.50	22.30	33.20	7.900	84.00	8	19.10	127.0	2.83
2 1/2	190.5	75.40	25.40	38.10	7.900	100.0	8	22.30	149.3	4.25
3	209.5	91.40	28.40	42.90	9.700	117.3	8	22.30	168.1	5.78
3 1/2	228.6	104.1	30.20	44.40	9.700	133.3	8	22.30	184.1	7.27
4	254.0	116.8	31.70	47.70	11.20	146.0	8	22.30	200.1	9.55
5	279.4	114.5	35.00	50.80	11.20	177.8	8	22.30	234.9	12.2
6	317.5	171.5	36.50	52.30	12.70	206.2	12	22.30	269.7	15.5
8	381.0	222.3	41.10	61.90	12.70	260.3	12	25.40	330.2	24.1
10	444.5	277.4	47.70	95.20	12.70	320.5	16	28.40	387.3	34.4
12	520.7	329.2	50.80	101.6	12.70	374.6	16	31.70	450.8	50.4
14	584.2	380.2	53.80	111.2	12.70	425.4	20	31.70	514.3	70.9
16	647.7	411.2	57.15	120.6	12.70	482.6	20	35.00	571.5	89.5
18	711.2	462.3	60.45	130.0	12.70	533.4	24	35.00	628.6	111
20	774.7	514.4	63.50	139.7	12.70	587.2	24	35.0	685.8	137
24	914.4	616.0	69.8	152.4	12.70	701.5	24	41.10	812.8	204

Dimensões em mm.

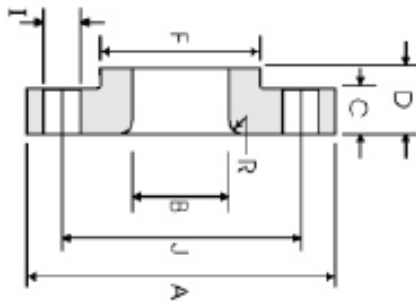
Flange Solto (LJ) ANSI B16.5 Classe 600 lbs



DN	A	B	C	D	R	F	Nº FURROS	I	J	Peso
1/2	95.30	22.90	14.20	22.40	3.000	38.10	4	15.70	66.55	0.72
3/4	117.3	28.20	15.70	25.40	3.000	47.80	4	19.10	82.60	1.25
1	124.0	35.10	17.50	28.90	3.000	53.80	4	19.10	88.90	1.50
1 1/4	133.4	43.70	20.60	28.40	4.800	63.50	4	19.10	98.60	2.00
1 1/2	155.4	50.00	22.40	31.75	6.400	69.85	4	22.40	114.3	2.92
2	185.1	62.50	25.40	36.60	7.900	84.10	8	19.10	127.0	3.55
2 1/2	190.5	75.40	26.40	41.10	7.900	100.1	8	22.40	149.4	5.23
3	209.6	91.40	31.75	46.00	9.700	117.3	8	22.40	166.1	6.95
3 1/2	228.6	104.1	35.10	49.30	9.700	133.4	8	25.40	184.2	8.78
4	273.1	116.8	36.10	53.80	11.20	152.4	8	25.40	215.9	14.4
5	330.2	114.5	44.50	60.45	11.20	189.0	8	28.40	266.7	24.3
6	355.6	171.5	47.80	66.55	12.70	222.3	12	28.40	292.1	28.5
8	419.1	222.3	55.80	76.20	12.70	273.1	12	31.75	349.3	43.1
10	508.0	277.4	63.50	111.3	12.70	342.9	16	35.10	431.8	70.5
12	558.8	328.2	66.55	117.3	12.70	400.1	20	35.10	489.0	86.1
14	603.3	360.2	69.85	127.0	12.70	431.8	20	38.10	527.1	100
16	685.8	411.2	76.20	139.7	12.70	495.3	20	41.10	603.3	145
18	743.0	462.3	82.60	152.4	12.70	546.1	20	44.50	654.1	177
20	812.8	514.4	88.90	165.1	12.70	609.6	24	44.50	723.9	225
24	939.8	616.0	101.6	184.2	12.70	717.6	24	50.80	838.2	318

Dimensões em mm.

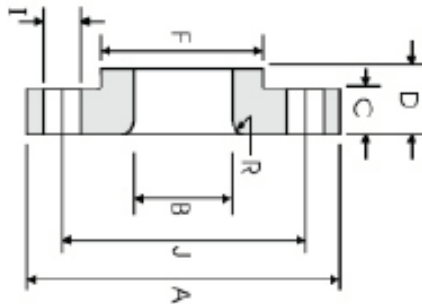
Flange Solto (LJ) ANSI B16.5 Classe 900 lbs



DN	A	B	C	D	R	F	Nº FURROS	I	J	Peso
1/2	120,6	22,90	22,30	31,70	3,000	38,10	4	22,30	82,50	1,71
3/4	130,0	28,20	25,40	35,00	3,000	44,40	4	22,30	88,90	2,30
1	149,3	35,10	28,40	41,10	3,000	52,30	4	25,40	101,6	3,40
1 1/4	158,7	43,70	28,40	41,10	4,800	63,50	4	25,40	111,2	3,85
1 1/2	177,8	50,00	31,70	44,40	6,400	69,85	4	28,40	123,9	5,28
2	215,9	62,50	38,10	57,15	7,900	104,6	8	25,40	165,1	9,78
2 1/2	244,3	75,40	41,10	63,50	7,900	123,9	8	28,40	190,5	13,6
3	241,3	91,40	38,10	53,80	9,700	127,0	8	25,40	190,5	11,3
4	292,1	116,8	44,40	69,85	11,20	158,7	8	31,70	234,9	19,2
5	349,2	114,5	50,80	79,25	11,20	190,5	8	35,00	279,4	31,20
6	381,0	171,5	55,80	85,80	12,70	234,9	12	31,70	317,5	40,50
8	469,9	222,3	63,50	114,3	12,70	298,4	12	38,10	393,7	71,5
10	546,1	277,4	69,85	127,0	12,70	368,3	16	38,10	469,9	104
12	608,6	328,2	79,25	142,7	12,70	419,1	20	38,10	533,4	139
14	641,3	380,2	85,80	155,4	12,70	450,8	20	41,10	558,8	161
16	704,8	411,2	88,90	165,1	12,70	508,0	20	44,40	615,9	194
18	787,4	482,3	101,6	190,5	12,70	565,1	20	50,80	685,8	267
20	857,2	514,4	107,9	209,5	12,70	622,3	20	53,80	749,3	334
24	1041,4	616,0	139,7	266,7	12,70	749,3	20	66,55	901,7	618

Dimensões em mm.

Flange Solto (LJ) ANSI B16.5 Classe 1500 lbs



DN	A	B	C	D	R	F	nº FUROS	I	J	Peso
1/2	120.6	22.90	22.30	31.70	3.000	36.10	4	22.30	82.50	1.71
3/4	130.0	28.20	25.40	35.00	3.000	44.40	4	22.30	88.90	2.30
1	149.3	35.10	28.40	41.10	3.000	52.30	4	25.40	101.6	3.40
1 1/4	158.7	43.70	28.40	41.10	4.800	63.50	4	25.40	111.2	3.85
1 1/2	177.8	50.00	31.70	44.40	6.400	69.85	4	28.40	123.9	5.28
2	215.9	62.50	38.10	57.15	7.900	104.6	8	25.40	165.1	9.78
2 1/2	244.3	75.40	41.10	63.50	7.900	123.9	8	28.40	190.5	13.6
3	266.7	91.40	47.70	73.15	9.700	133.3	8	31.70	203.2	17.8
4	311.1	116.8	53.80	90.40	11.20	162.0	8	35.00	241.3	27.5
5	374.6	114.5	73.15	104.6	11.20	196.8	8	41.10	292.1	51.5
6	399.7	171.5	82.50	119.1	12.70	228.6	12	38.10	317.5	62.0
8	482.6	222.3	91.90	142.7	12.70	292.1	12	44.40	393.7	105
10	584.2	277.4	107.9	177.8	12.70	368.3	12	50.80	482.6	179
12	673.1	328.2	123.9	218.9	12.70	450.8	16	53.80	571.5	260
14	749.3	360.2	133.3	241.3	12.70	495.3	16	60.45	635.0	365
16	825.5	411.2	146.0	260.3	12.70	552.4	16	66.55	704.8	459
18	914.4	462.3	162.0	276.3	12.70	596.9	16	73.15	774.7	598
20	984.2	514.4	177.8	292.1	12.70	641.3	16	79.25	831.8	712
24	1168.4	616.0	203.2	330.2	12.70	762.0	16	91.90	990.6	1090

Dimensões em mm.